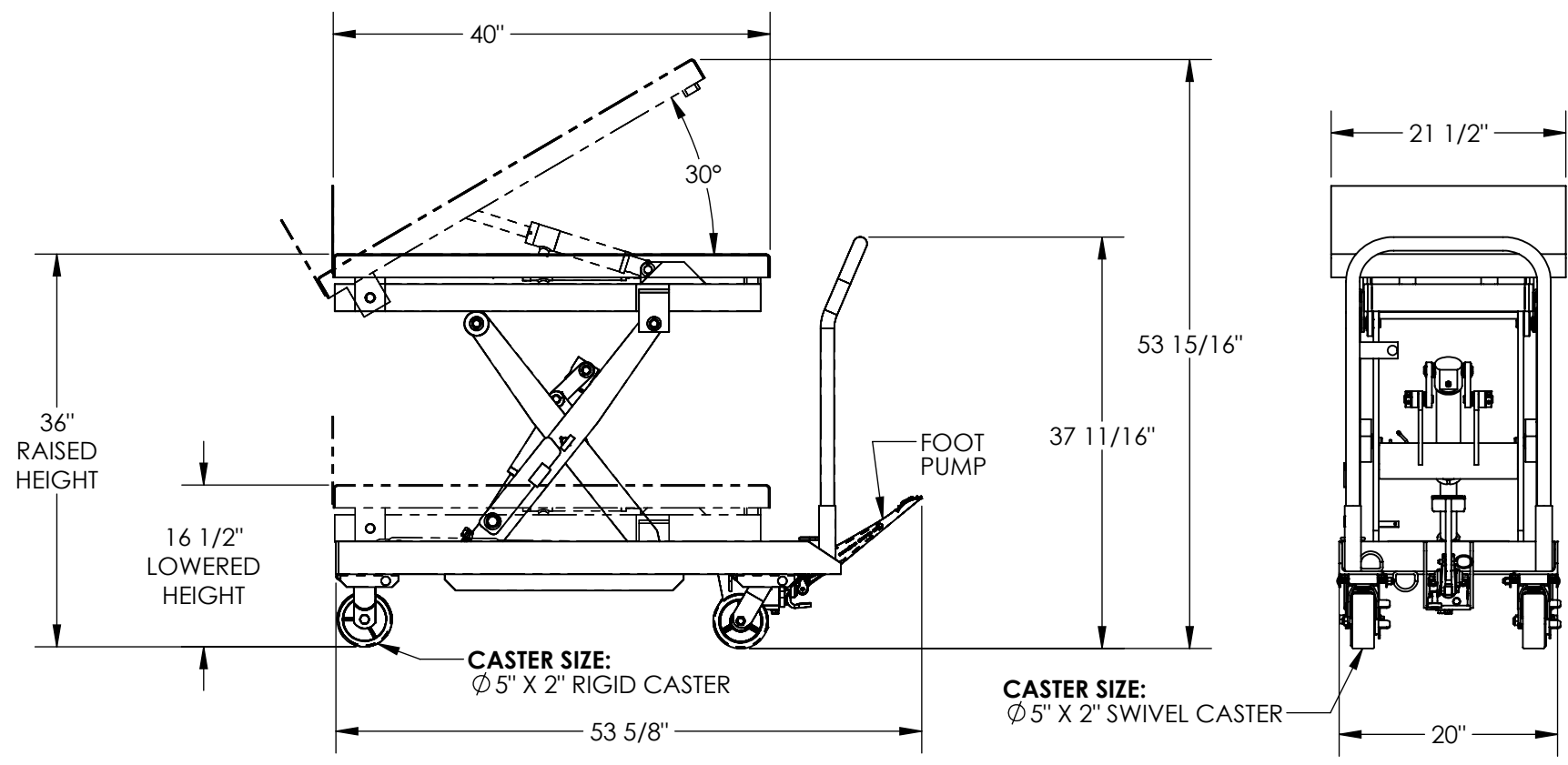


LIFT & TILT CART WITH SEQUENCE SELECT - CART-500-LT

APPROX WEIGHT: 337.28 lbs.
 DOES NOT INCLUDE WEIGHT OF POWER OR PACKAGING!!!

*** ANY ADDITIONS, DELETIONS, OR OMISSIONS MUST BE CORRECTED ON THIS DRAWING AS THIS DRAWING WILL BE CONSIDERED ALL INCLUSIVE ***
 ALL GRAPHICS PROVIDED ARE FOR REFERENCE ONLY. IF CERTAIN DIMENSIONS ARE CRITICAL PLEASE VERIFY THOSE DIMENSIONS WITH YOUR SALESPERSON



DIMENSION TOLERANCE ± 1/4"

STANDARD FEATURES

- MODEL NUMBER IS CART-500-LT
- DECK WIDTH IS 21 1/2"
- DECK LENGTH IS 40"
- RAISED HEIGHT IS 36"
- LOWERED HEIGHT IS 16 1/2"
- OVERALL HEIGHT IS 53 15/16"
- TILTING ANGLE IS 30°
- MAX CAPACITY IS 500 LBS
- CASTER SIZE: Ø 5 x 2 POLY-ON STEEL
- (2) RIGID CASTERS - FRONT
- (2) SWIVEL CASTERS W/ BRAKE - BACK
- FOOT PUMP OPERATED
- DURABLE LIQUID PAINT BLUE FINISH

SPECIAL FEATURES

NONE

A P P R O V A L	I, THE UNDERSIGNED, AGREE THAT THE PRODUCT AS REPRESENTED SATISFIES DESIGN AND DIMENSION REQUIREMENTS. I ALSO ACKNOWLEDGE MY DUTY TO CONFIRM PRODUCT AND INSTALLATION COMPLIANCE WITH ALL APPLICABLE FEDERAL, STATE AND LOCAL REGULATIONS AND STANDARDS.	
	ANY MODIFIED UNITS ARE NON-RETURNABLE	
	[] As drawn [] As marked	
	Signed: _____ Date: _____	
Printed Name: _____		
<i>LEAD TIME WILL START UPON RECEIPT OF SIGNED APPROVAL DRAWING</i>		

<i>FOR INTERNAL USE ONLY PROJECT SIGN OFF</i>		DISTRIBUTOR'S NAME: HOF EQUIPMENT COMPANY		P.O.# X
SALES		PH: 888-990-1150		W.O.# X
ENG.		DRAWN BY: MVG	DATE: 3/7/13	SALES: X
FAB.		REFERENCE: X	SCALE: 1:16	FILE NAME:
POWER		QUOTED LEAD TIME: X	QUOTE # X	02-007-251